



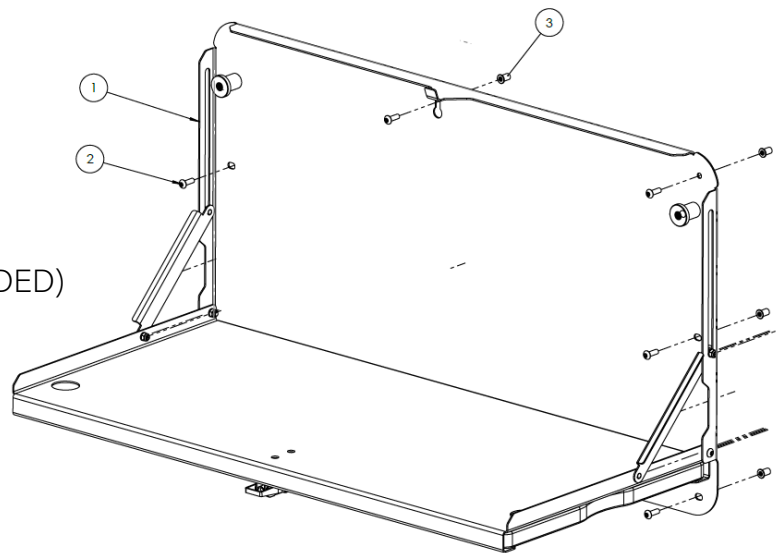
# PRODUCT INSTALLATION GUIDE



<b>PRODUCT:</b>	<i>RIGHT HAND REAR DOOR - FOLD DOWN TABLE</i>
<b>VEHICLE:</b>	<i>TOYOTA LANCRUISER - 78 SERIES</i>
<b>PRODUCT NO.</b>	<i>OTA-78-2022-005</i>

## TOOLS/ITEMS REQUIRED FOR FITTING:

- PHILIPS HEAD SCREWDRIVER
- HANDHELD DRILL
- 7mm DRILL BIT
- RIVNUT DRILL ATTACHMENT OR GUN
- 4mm ALLEN KEY (SOCKET RECOMMENDED)
- SOCKET WRENCH (RECOMMENDED)



<b>ITEM NO.</b>	<b>DESCRIPTION</b>	<b>QTY</b>	<b>PART NUMBER</b>
PART LIST			
1	RIGHT HAND REAR DOOR - FOLD DOWN TABLE	1	OTA78-2022-005

<b>FITTING KIT - SUPPLIED</b>			
<b>ITEM NO.</b>	<b>DESCRIPTION</b>	<b>QTY</b>	<b>PART NUMBER</b>
2	M5 - RIVNUT	6	-
3	M5 - BLACK BUTTON HEAD BOLTS	6	-

FOR PRODUCT WARRANTY PLEASE REFER TO OUR WEBSITE - [www.micktighe4x4.com.au/](http://www.micktighe4x4.com.au/)

# OVERLAND TOURERS AUSTRALIA

---

## STEP 01:

- BEGIN BY REMOVING THE EXISTING DOOR CARD - START FROM ONE END AND GENTLY PULL EACH CLIP OUT. (IF YOUR MODEL HAS A SPEAKER YOU WILL NEED TO REMOVE THE SURROUND USING A PHILIPS HEAD SCREW DRIVER)



## STEP 02:

- ONCE THE DOOR CARD IS REMOVED, CLEAN DOOR IF REQUIRED AND LOCATE THE HOLES REQUIRED FOR DRILLING.



**STEP 04:**

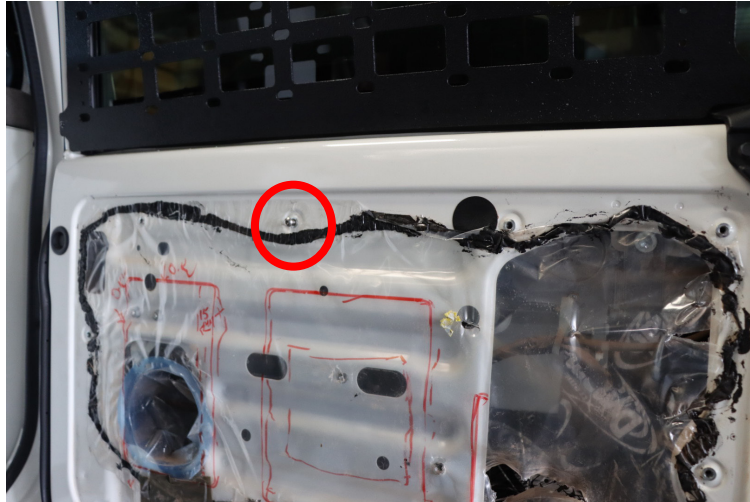
- USING A RIVNUT TOOL (WE RECOMMEND THE DRILL ATTACHMENT), CAREFULLY INSTALL ALL SIX RIVNUTS TO REQUIRED HOLES.



**STEP 05:**

- TO ALLOW FOR EASY INSTALLATION OF THE TABLE, HALF INSERT ONE OF THE BOLTS INTO THE TOP MIDDLE RIVNUT.

\*PLEASE NOTE: We recommend applying anti-seize to all bolts before fitting the table\*



**STEP 06:**

- ONCE THE BOLT IS INSERTED, HANG THE TABLE ON THE BOLT WITH THE TOP MIDDLE HOLE. w



**STEP 07:**

- ALIGN ALL BOLT HOLES AND INSERT THE REMAINING BOLTS (START ALL BOLTS BEFORE TIGHTENING ANY COMPLETELY)



**STEP 08:**

- CHECK EACH BOLT TO ENSURE ALL BOLTS ARE COMPLETELY TIGHT.



STEP 09:

YOUR REAR DOOR TABLE IS NOW INSTALLED AND READY FOR YOUR NEXT ADEVENTURE!

